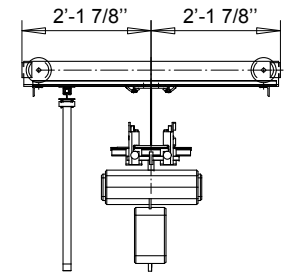
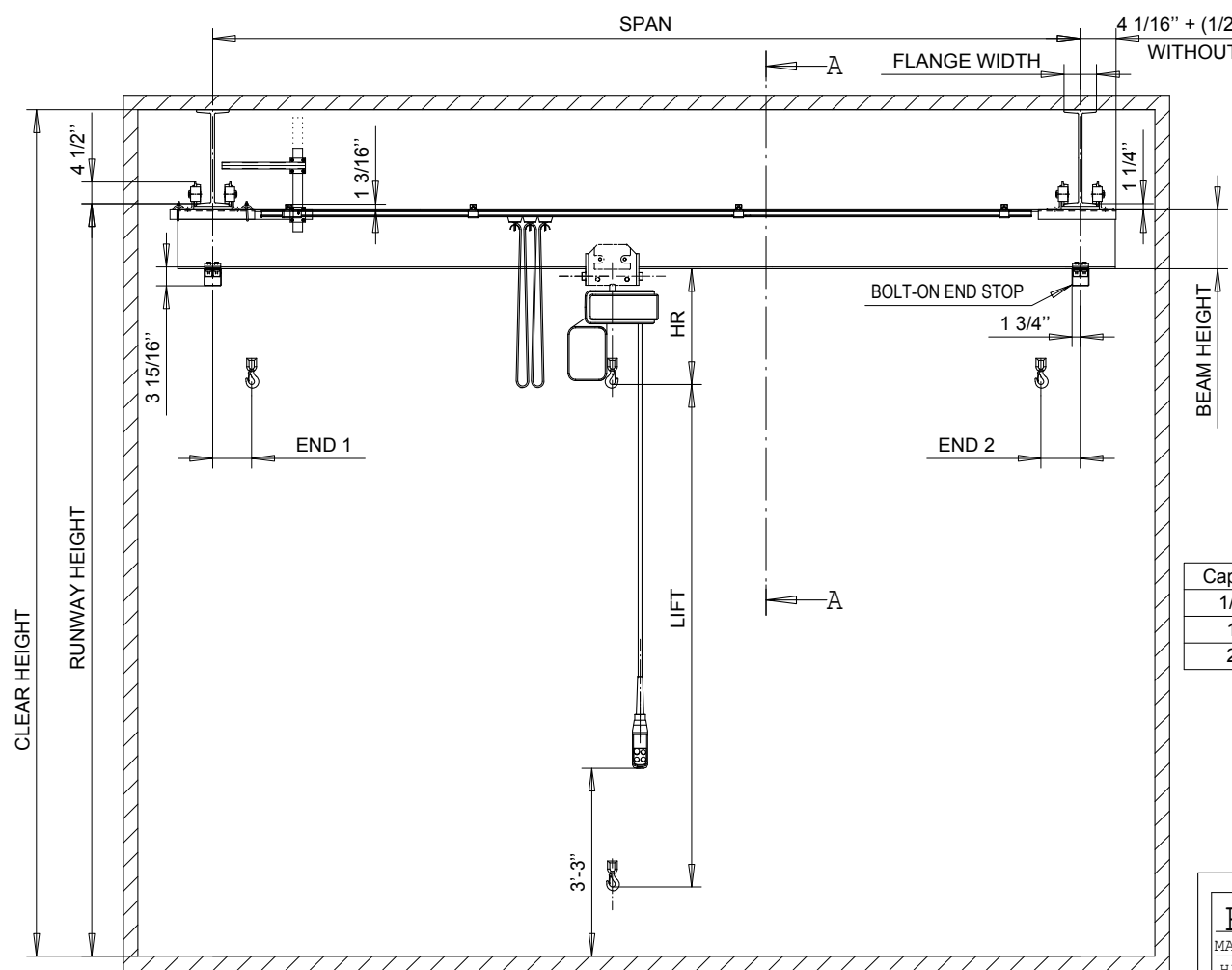


DETAIL - CRANE COLLECTOR ARM OPTION



VIEW A-A

Capacity	Hoist	HR	END 1	END 2
1/2 T	LM05 - 1 fall	19 1/4"	6 3/4"	6 3/4"
1 T	LM10 - 1 fall	22"	7 7/16"	7 7/16"
2 T	LM10 - 2 fall	25"	7 7/16"	7 7/16"



QLP SGUR PUSH CRANE

MARCH, 2009

SGUR PUSH CRANE.vxp